

Type: FMT 250 QSL (50/60Hz, 220/230V)
Part no.: 72295324230



Item	Part no.	Designation	Quantity	Status
10	31901177000	Motor housing	1	
20	32816066000	Control rod	1	
30	32805226000	Slide switch	1	
40	51278002230	Stator	1	
50	43074005000	Screw 35X45	2	
60	31428161000	Air guide ring	1	
70	30712087015	Brush holder	2	
75	30717193000	Connector	2	
80	30711129009	Carbon brush	2	
90	32803019010	Contact spring	1	
110	30762412990	Electronics 100-230V,50/60Hz	1	
120	30719642010	Connecting cable	1	
130	32431045000	Cable clamping piece	1	
140	30719641010	Connecting cable	1	
150	32427127000	Cover	1	
155	31415099000	Pressure piece	1	
160	43074003000	Screw 40X8	1	
170	43074002000	Screw 35X20	5	
180	30707350010	Cable with plug	1	
190	31413229000	Cable grommet	1	
210	30719644010	Connecting cable	1	
220	30719643010	Connecting cable	1	
250	53278001230	Armature	1	
260	41701001032	Grooved ball bearing	1	
270	41701007038	Grooved ball bearing	1	

Type: FMT 250 QSL (50/60Hz, 220/230V)
Part no.: 72295324230



Item	Part no.	Designation	Quantity	Status
280	30508043010	Bush Set	1	
290	40612167000	Sealing ring	1	
300	41701241126	Grooved ball bearing	1	
310	42616046003	Circlip	1	
405	31508294030	Tool head	1	
430	34300000011	Lever	1	
480	33218150000	Eccentric ring	1	
490	40242064000	Straight pin	1	
495	30507220000	Bush	2	
510	30907067000	Locking spring	1	
520	43064023045	Fillister head screw	1	
530	43074004000	Screw 35X30	4	
5000	33901144010	Carrying case unfilled	1	
5010	33218151000	Extractor hood	1	
5020	30601106007	Felt ring	2	
5030	30605112000	Adapter	1	
5040	33218123000	Pipe	1	
5050	30232049000	Holder	1	
5200	32125059000	Handle	1	
5210	30232055000	Wire clamp	2	
5400	30605110008	Adapter hose	1	
5410	30605109006	Adapter hose	1	
5420	30517029001	Hose sleeve	1	
5430	30517028007	Hose sleeve	1	
5450	63806136220	Sanding pad	1	

Type: FMT 250 QSL (50/60Hz, 220/230V)
Part no.: 72295324230



Item	Part no.	Designation	Quantity	Status
5500	92602092000	Dust extraction set	1	
6000	32160003014	Lubricant tube 0,085 kg	1	
9000	34101240060	Operating instructions	1	
9020	34130054061	Safety instruction	1	

Prices valid from: 15 Nov 2017

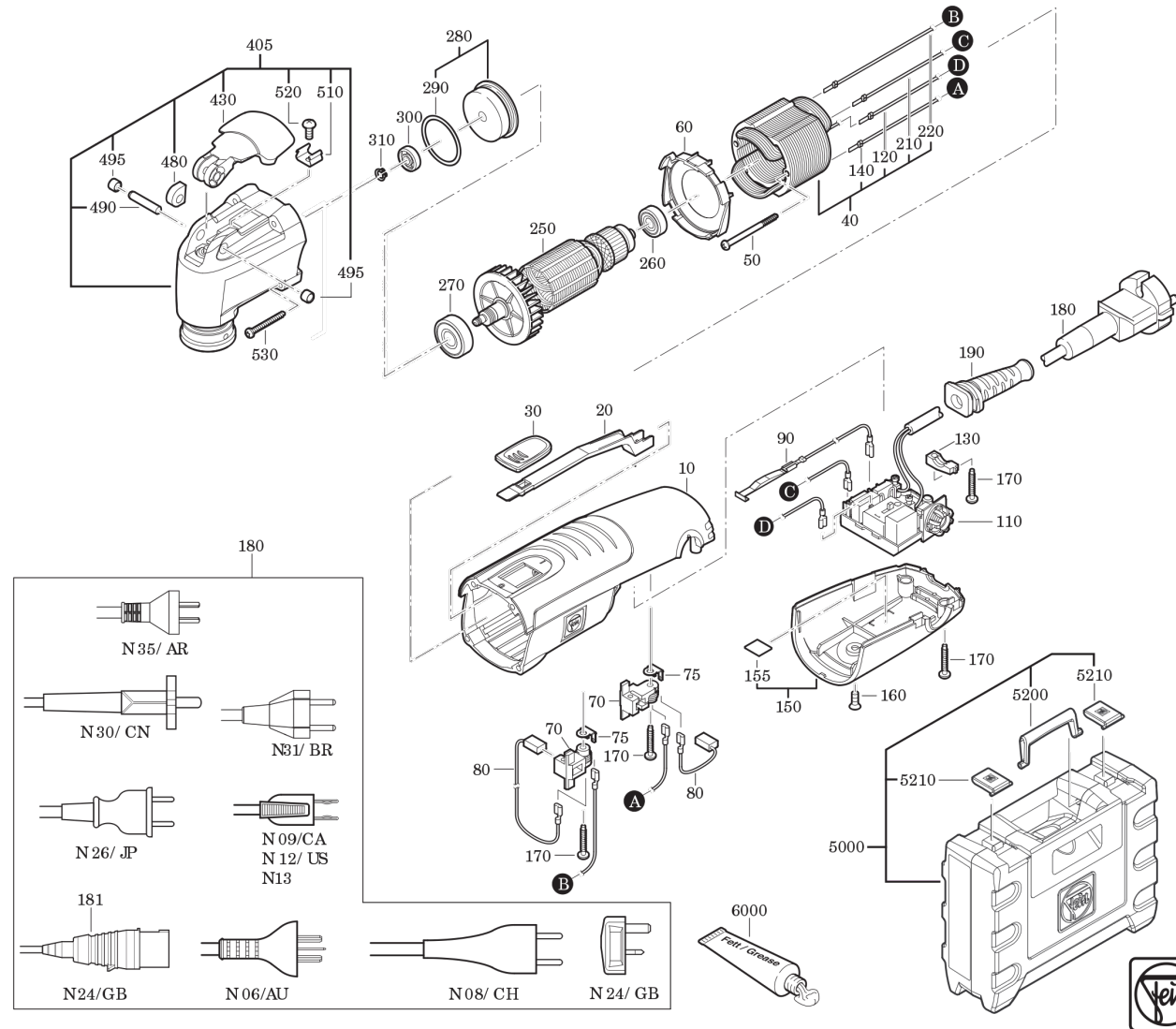
The prices valid on the day of delivery are decisive for the calculation. Subject to transmission errors and changes to technology, form and appearance.

* Only limited quantities or not available anymore. Please contact FEIN.

Type:
Part no.:

FMT 250 QSL (50/60Hz, 220/230V)
72295324230

7 229 53 - FMT 250 QSL



Type:
Part no.:

FMT 250 QSL (50/60Hz, 220/230V)
72295324230

7 229 53 - FMT 250 QSL

