

**Type:** FMM 250 Q (50/60Hz, 220/230V)  
**Part no.:** 72293724230



| Item | Part no.    | Designation                  | Quantity | Status |
|------|-------------|------------------------------|----------|--------|
| 10   | 31901146000 | Motor housing                | 1        |        |
| 20   | 32816066000 | Control rod                  | 1        |        |
| 30   | 32805226000 | Slide switch                 | 1        |        |
| 40   | 51278002230 | Stator                       | 1        |        |
| 50   | 43074005000 | Screw                        | 2        |        |
| 60   | 31428161000 | Air guide ring               | 1        |        |
| 70   | 30712087015 | Brush holder                 | 2        |        |
| 75   | 30717193000 | Connector                    | 2        |        |
| 80   | 30711129009 | Carbon brush                 | 2        |        |
| 90   | 32803019010 | Contact spring               | 1        |        |
| 110  | 30762412990 | Electronics 100-230V,50/60Hz | 1        |        |
| 120  | 30719642010 | Connecting cable             | 1        |        |
| 130  | 32431045000 | Cable clamping piece         | 1        |        |
| 140  | 30719641010 | Connecting cable             | 1        |        |
| 150  | 32427127000 | Cover                        | 1        |        |
| 155  | 31415099000 | Pressure piece               | 1        |        |
| 160  | 43074003000 | Screw                        | 1        |        |
| 170  | 43074002000 | Screw 35X20                  | 5        |        |
| 185  | 30707350010 | Cable with plug              | 1        |        |
| 190  | 31413229000 | Cable grommet                | 1        |        |
| 210  | 30719644010 | Connecting cable             | 1        |        |
| 220  | 30719643010 | Connecting cable             | 1        |        |
| 250  | 53278001230 | Armature                     | 1        |        |
| 260  | 41701001032 | Grooved ball bearing         | 1        |        |
| 270  | 41701007038 | Grooved ball bearing         | 1        |        |

**Type:** FMM 250 Q (50/60Hz, 220/230V)  
**Part no.:** 72293724230



| Item | Part no.                        | Designation   | Quantity | Status |
|------|---------------------------------|---|----------|--------|
| 280  | 30508043010                     | Bush Set  | 1        |        |
| 290  | 40612167000                     | Sealing ring  | 1        |        |
| 300  | 41701241126<br>↓<br>41701000020 | Grooved ball bearing<br><br>Grooved ball bearing      | 1        |        |
| 310  | 42616046003                     | Circlip   | 1        |        |
| 405  | 31508261020                     | Tool head   | 1        |        |
| 430  | 32805238000                     | Lever   | 1        |        |
| 480  | 32636042000                     | Eccentric ring  | 1        |        |
| 490  | 40242064000                     | Straight pin  | 1        |        |
| 495  | 30507220000                     | Bush  | 2        |        |
| 500  | 30240271000                     | Clamping unit   | 1        |        |
| 510  | 30907067000                     | Locking spring  | 1        |        |
| 520  | 43064023045                     | Fillister head screw                                  | 1        |        |
| 530  | 43074004000                     | Screw   | 4        |        |
| 5000 | 33901118030<br>↓<br>33901131980 | Carrying case, unfilled<br><br>Carrying case unfilled | 1        |        |
| 5010 | 33218151000                     | Extractor hood  | 1        |        |
| 5020 | 30601106007                     | Felt ring   | 2        |        |
| 5030 | 30605112000                     | Adapter   | 1        |        |
| 5040 | 33218123000                     | Pipe  | 1        |        |
| 5050 | 30232049000                     | Holder  | 1        |        |
| 5200 | 32119122000                     | Handle  | 1        |        |
| 5210 | 30232050000                     | Wire clamp  | 2        |        |
| 5400 | 30605110008                     | Adapter hose  | 1        |        |

**Type:** FMM 250 Q (50/60Hz, 220/230V)  
**Part no.:** 72293724230



| Item | Part no.    | Designation                 | Quantity | Status |
|------|-------------|-----------------------------|----------|--------|
| 5410 | 30605109006 | Adapter hose                | 1        |        |
| 5420 | 30517029001 | Hose sleeve                 | 1        |        |
| 5430 | 30517028007 | Hose sleeve                 | 1        |        |
| 5450 | 63806136220 | Sanding pad set, perforated | 1        |        |
| 5500 | 92602092000 | Dust extraction set         | 1        |        |
| 6000 | 32160003014 | Lubricant tube 0,085 kg     | 1        | ***    |

Prices valid from: 8 Apr 2022

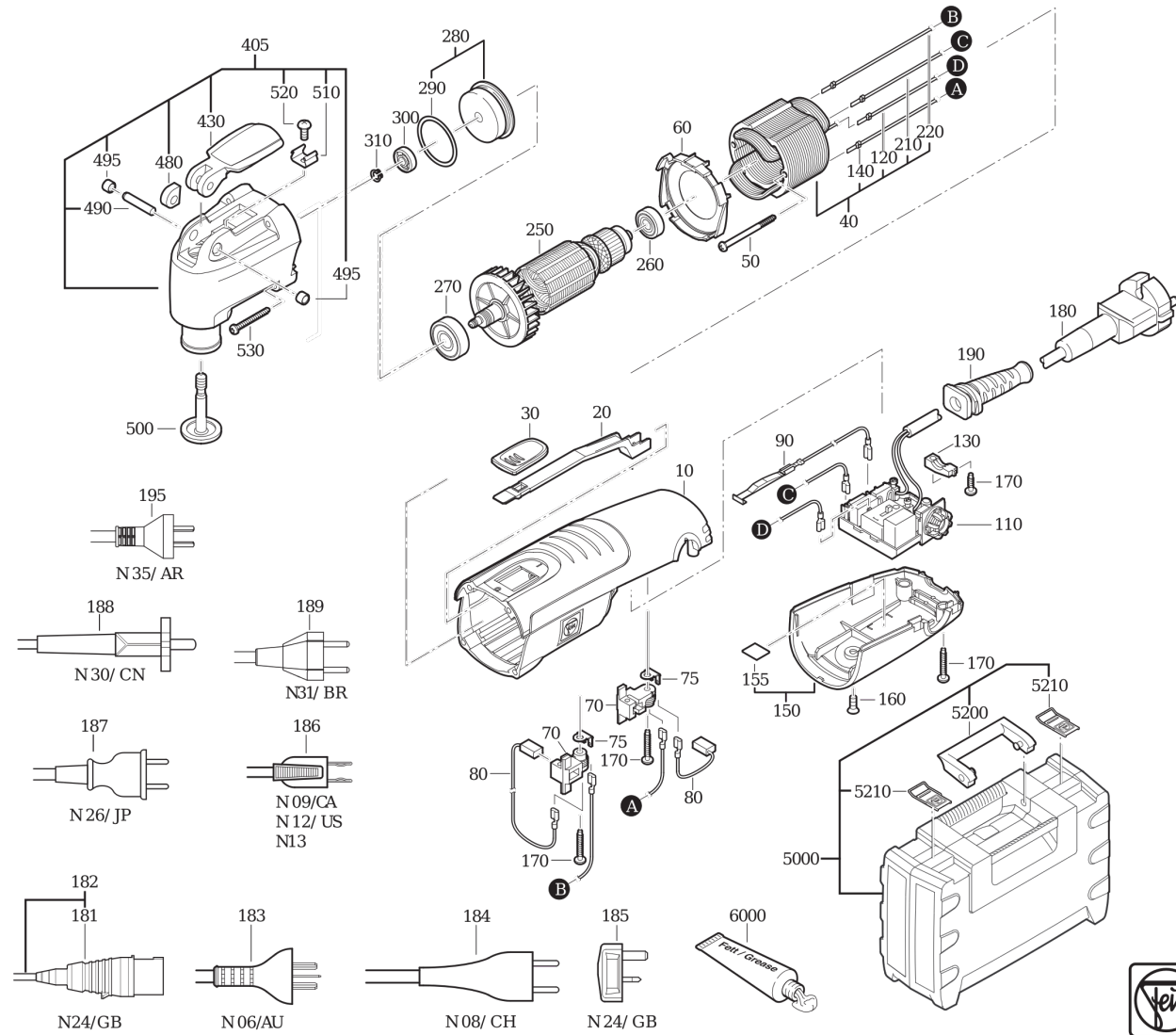
The prices valid on the day of delivery are decisive for the calculation. Subject to transmission errors and changes to technology, form and appearance.

\* Only limited quantities or not available anymore. Please contact FEIN.

**Type:**  
**Part no.:**

FMM 250 Q (50/60Hz, 220/230V)  
72293724230

7 229 37 - FMM250 Q



**Type:**  
**Part no.:**

FMM 250 Q (50/60Hz, 220/230V)  
72293724230

7 229 37 - FMM250 Q

