

**Type:** FMM 350 Q (50/60Hz, 220/230V)  
**Part no.:** 72294200230



<b>Item</b>	<b>Part no.</b>	<b>Designation</b>	<b>Quantity</b>	<b>Price RPR*</b>	<b>Status</b>
10	31901173000	Motor housing	1		
30	32805311000	Slide switch	1		
70	30712087015	Brush holder	2		
80	30711157000	Carbon brush	2		
110	30762453990	Electronics	1		
130	32431045000	Cable clamping piece	1		
155	31415110000	Pressure piece	4		
160	43074010000	Screw Tx15 35x16	7		
170	43074002000	Screw 35X20	2		
180	30707343017	Cable with plug	1		
190	31413233000	Cable grommet	1		
230	31603051010	Bush	1		
250	53278005230	Armature	1		
260	41701001032	Grooved ball bearing	1		
270	41701007038	Grooved ball bearing	1		
285	32172014010	Magnet	1		
290	40612167000	Sealing ring	1		
300	41701241126	Grooved ball bearing	1		
310	42616046003	Circlip	1		
350	52278046230	Stator unit	1		
405	31508287010	Tool head Quick In	1		
430	32805309000	Lever	1		
480	32636042000	Eccentric ring	1		
490	40242064000	Straight pin	1		

**Type:** FMM 350 Q (50/60Hz, 220/230V)  
**Part no.:** 72294200230



<b>Item</b>	<b>Part no.</b>	<b>Designation</b>	<b>Quantity</b>	<b>Price RPR*</b>	<b>Status</b>
495	30507220000	Bush	2		
500	30240271000	Clamping unit	1		
510	30907067000	Locking spring	1		
520	43064023045	Fillister head screw	1		
530	43074009000	Screw TX20 40X20	4		
5000	33901131980	Carrying case unfilled	1		
5010	33218136000	Extractor hood	1		
5020	30601106007	Felt ring	2		
5030	30605112000	Adapter	1		
5040	33218137010	Suction unit	1		
5200	32119122000	Handle	1		
5210	30232050000	Wire clamp	2		
5300	33904488000	EPP insert	1		
6000	32160003014	Lubricant tube 0,085 kg	1		
9000	34101191060	Operating instructions FMM350Q	1		
9020	34130054061	Safety instruction	1		

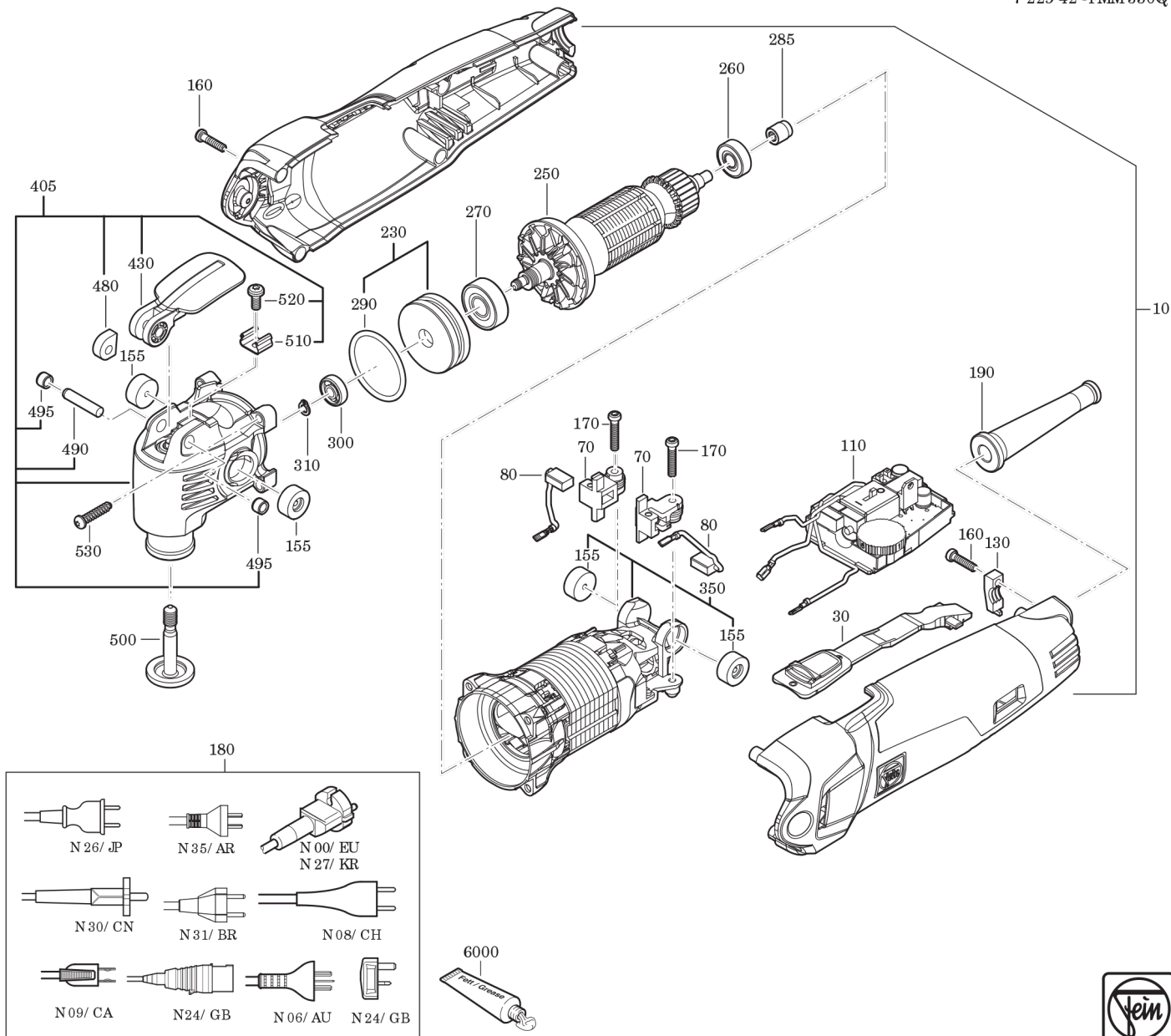
\*) Recommended retail price exclusive value added tax. The prices valid on the day of delivery are decisive for the calculation. Subject to transmission errors and changes to technology, form and appearance.

\*\*) Only limited quantities or not available anymore. Please contact FEIN.

**Type:**  
**Part no.:**

FMM 350 Q (50/60Hz, 220/230V)  
72294200230

7 229 42 -FMM350Q



**Type:**  
**Part no.:**

FMM 350 Q (50/60Hz, 220/230V)  
72294200230

7 229 42 -FMM 350Q

