

**Type:** AMM 500 Plus AS (18V)  
**Part no.:** 71294200940



<b>Item</b>	<b>Part no.</b>	<b>Designation</b>	<b>Quantity</b>	<b>Status</b>
10	31901281030	Motor housing	1	
11	34300000061	Guide strip	1	
12	34300000062	Guide strip	1	
30	32805339000	Slide switch	1	
100	30762656990	Electronics	1	
155	31415110000	Pressure piece	2	
160	31415161000	Pressure piece	4	
170	31415184000	Pressure piece	1	
200	54111004800	Motor	1	
240	40612167000	Sealing ring	1	
245	41701000020	Grooved ball bearing	1	
250	42616046003	Circlip	1	
255	30501370010	Magnet	1	
405	31508287040	Tool head	1	
430	34300000012	Lever	1	
480	33218150000	Eccentric ring	1	
490	40242064000	Straight pin	1	
495	30507220000	Bush	2	
510	30907067000	Locking spring	1	
520	43064023045	Fillister head screw	1	
630	43074009000	Screw	4	
640	43074010000	Screw	7	
690	30907070000	Locking spring	1	
920	30901421000	Spring	1	
2500	32217517000	RFID Transponder VE1	1	

**Type:** AMM 500 Plus AS (18V)  
**Part no.:** 71294200940



Item	Part no.	Designation	Quantity	Status
5100	62907039000	Socket head wrench	1	
5110	43033093060	Cylinder head screw	2	
5120	32133029020	Suction unit ESD NEW	1	
5300	33901781000	Case L-BOXX 136 black	1	
5310	33904666000	Insert L-BOXX	1	
5320	33906420000	FEIN L-BOXX lid insert	1	
5400	33901782000	Support i-BOXX Rack	1	
5410	33901783000	i-BOXX 72	1	
5420	33904686000	Case insert i-BOXX	1	
6010	SM0001	Gadus S2 V100Q2 (Shell Deutschland Oil GmbH)	10g	
6020	04012400000	N.A.	1g	
7000	64104150008	Extractor tool	1	
7001	64107016001	Chuck cone	1	
7002	64114034000	Extractor tool	1	
7003	64122127000	Press-in fixture Set	1	
7004	64114035000	Sleeve	1	
7005	64122129000	Arbor	1	
7006	64122122000	Assembly aid	1	

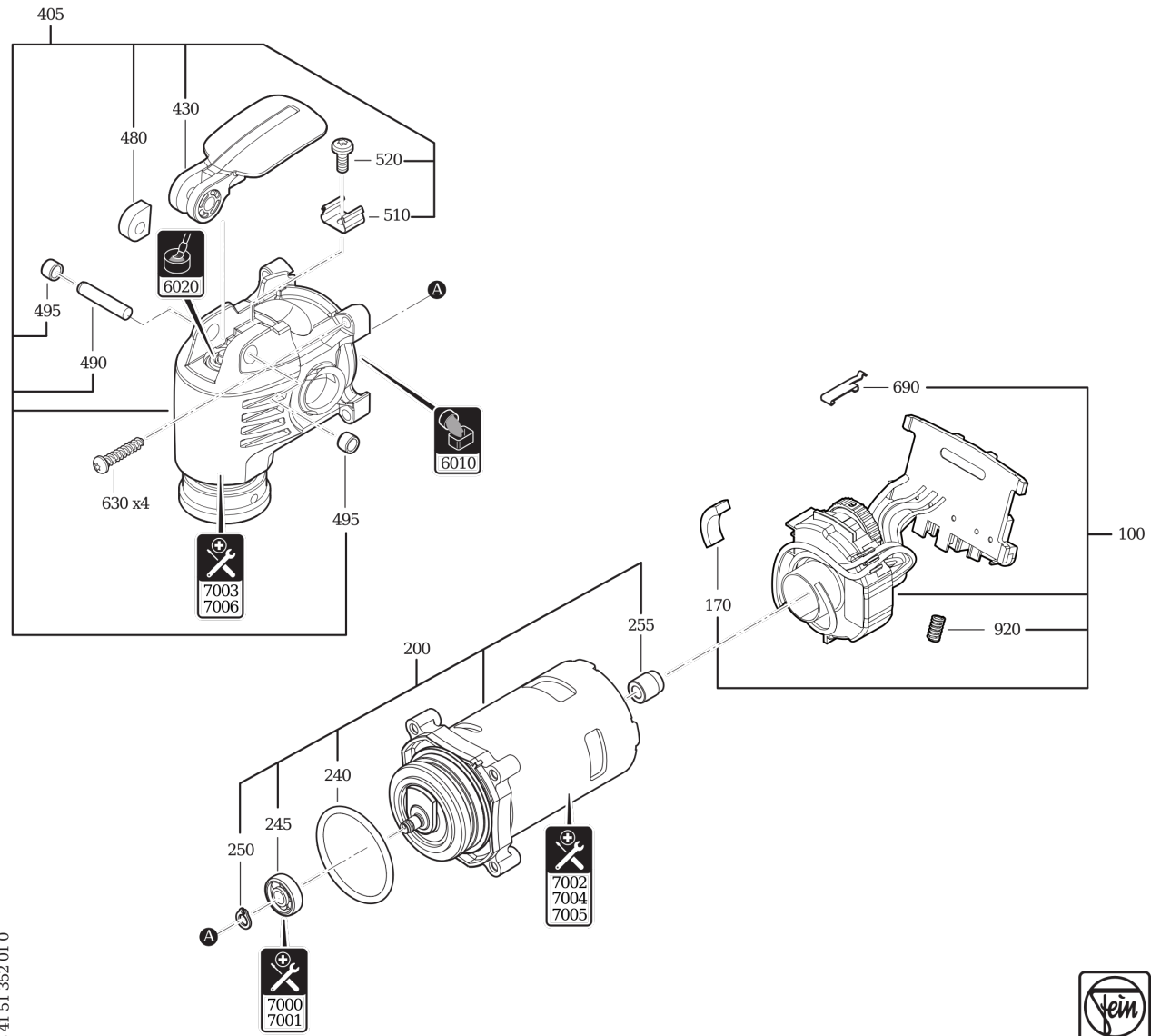
Prices valid from: 10 Jun 2024

The prices valid on the day of delivery are decisive for the calculation. Subject to transmission errors and changes to technology, form and appearance.

\* Only limited quantities or not available anymore. Please contact FEIN.

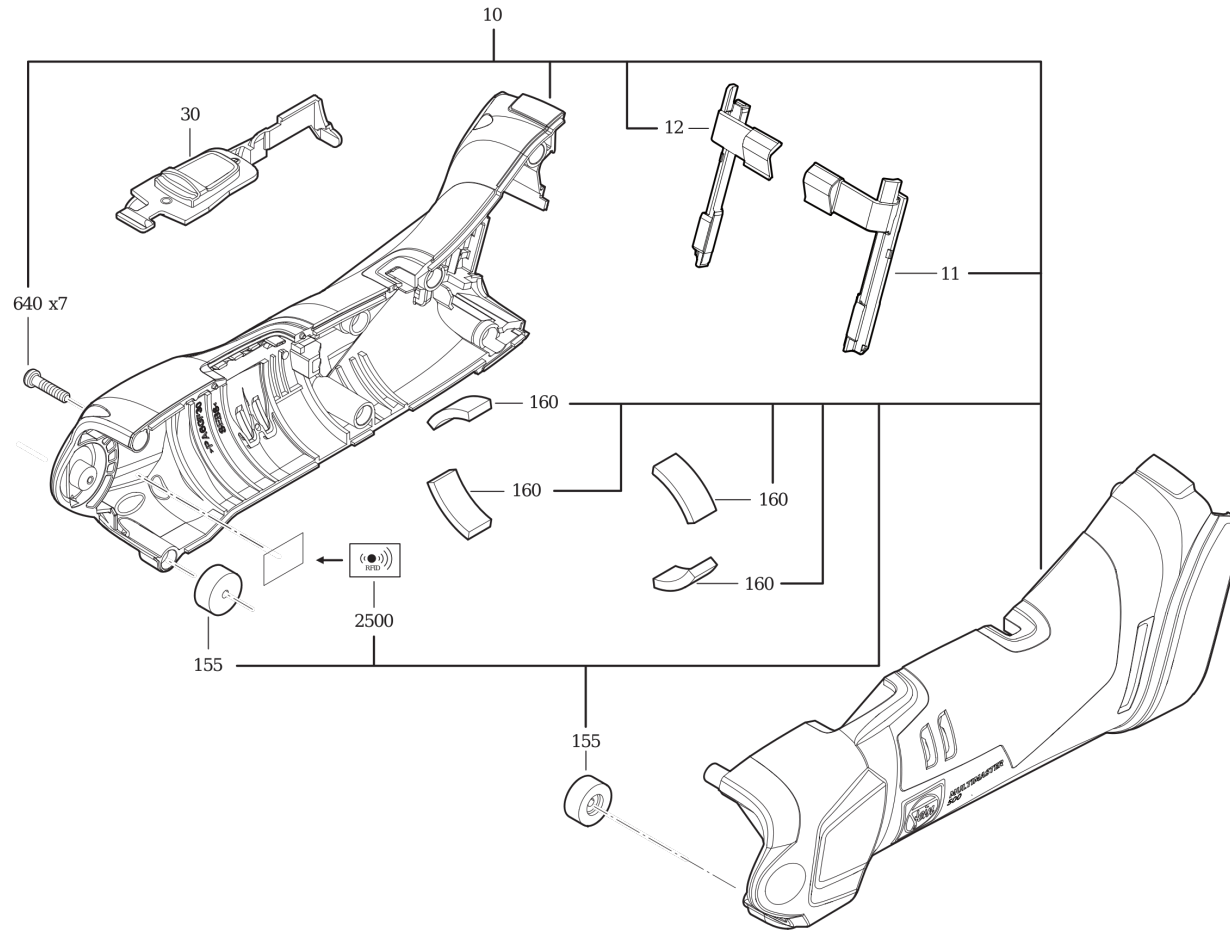
Type:  
Part no.:

AMM 500 Plus AS (18V)  
71294200940



Type:  
Part no.:

AMM 500 Plus AS (18V)  
71294200940

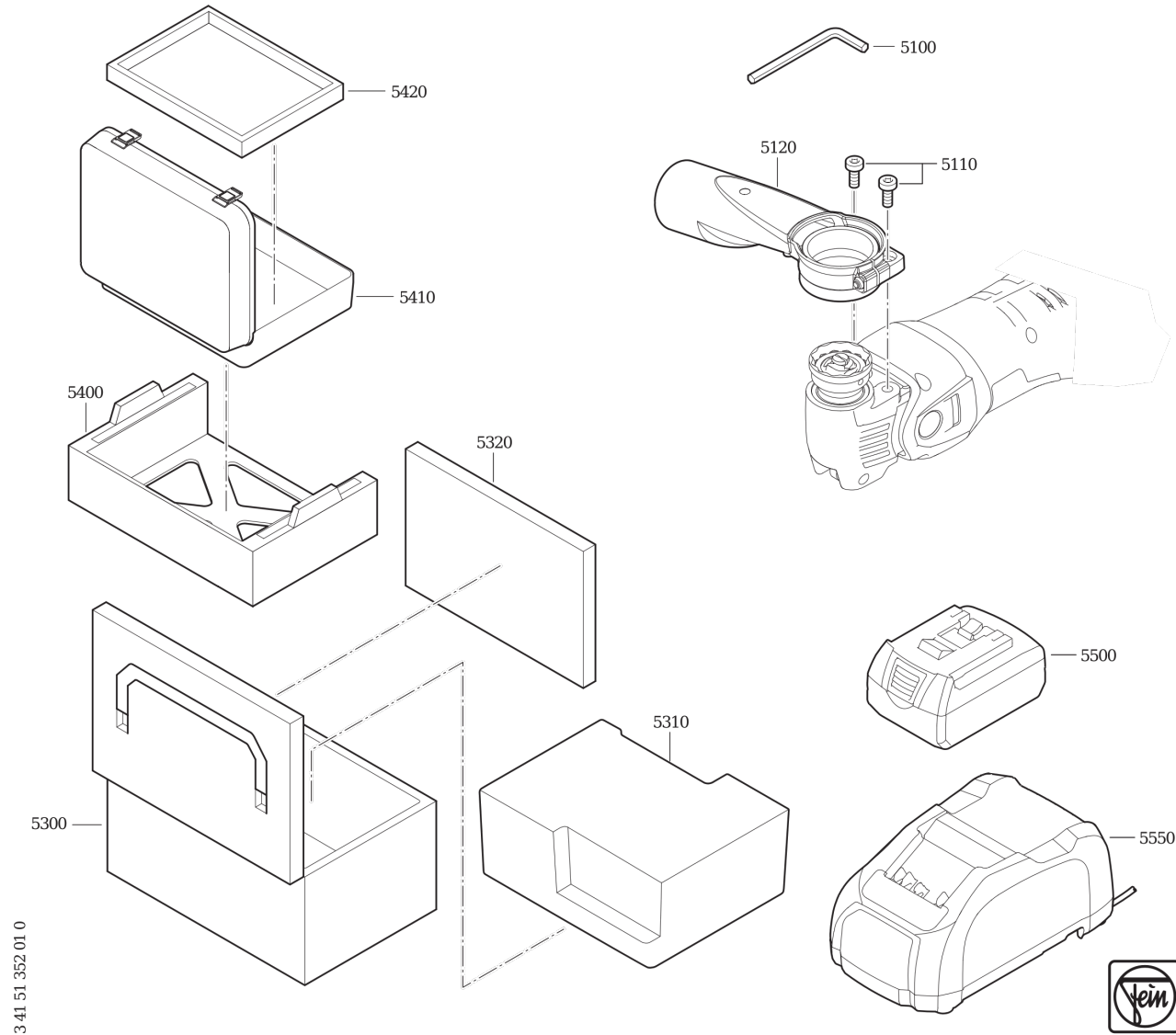


3 41 51 352 01 0



**Type:**  
**Part no.:**

AMM 500 Plus AS (18V)  
71294200940



3 41 51 352 01 0

